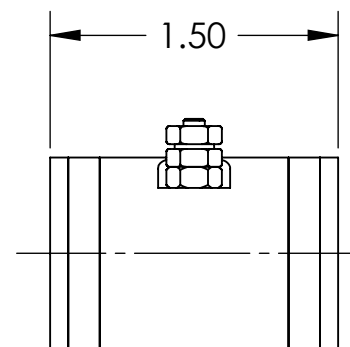
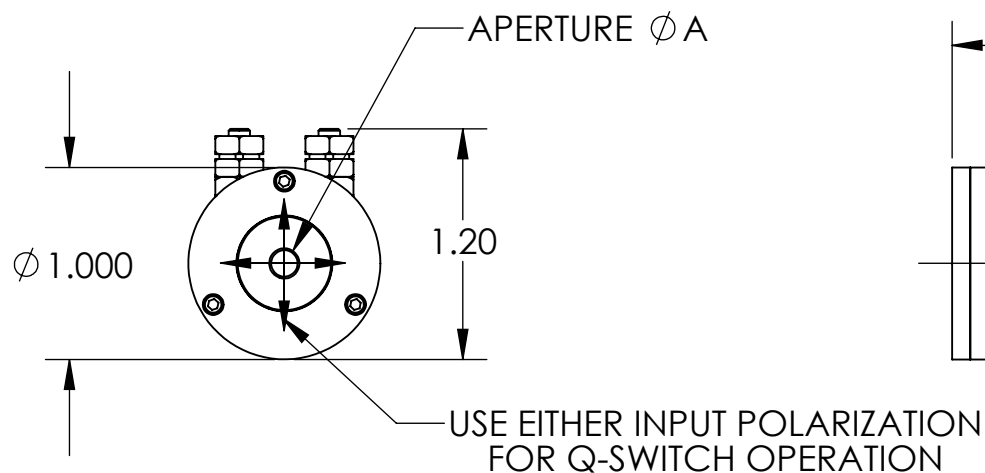


REVISIONS			
REV	DESCRIPTION	DATE	APPROVED
A	PRODUCTION RELEASE	4/23/09	TAC
B	ADDED PBCX1-DC03	7/15/09	TAC
C	ADDED HEX NUT AND LOCK WASHER	10/5/09	TAC

MODEL NUMBER	ϕA
PBCX1-DC03	2.5mm
PBCX1-DC04	3.5mm



THIRD ANGLE PROJECTION

NOTICE ALL PERSONS RECEIVING THIS DRAWING

THIS PRINT, AND THE INFORMATION IT GIVES, ARE THE PROPERTY OF INRAD. THE PRINT IS NOT TRANSFERABLE, AND IT AND ANY COPIES ARE TO BE RETURNED UPON THE COMPLETION OF THE CORRESPONDENCE OR ORDER. THE INFORMATION IS GIVEN IN CONFIDENCE FOR A LIMITED PURPOSE, IS NOT TO BE DIVULGED AND IS NOT TO BE USED BEYOND THAT PURPOSE.

UNLESS OTHERWISE SPECIFIED DIMENSIONS ARE IN INCHES

TOLERANCES :

ANGLES: .X $\pm .015$
 .XX $\pm .010$
 .XXX $\pm .005$

0° 30'

BREAK ALL SHARP CORNERS UNLESS OTHERWISE NOTED.

MATERIAL;

FINISH;

USED ON P.L. **7510**

DRFT. MAS 10/27/05

CHKR. TAC 10/27/05

ENG. TAC 10/27/05

REF.

Inrad
a PPGI Company

NORTHVALE, NEW JERSEY 07647

BBO POCKELS CELL OUTLINE
PBCX1-DC04

SIZE A	DRAWING NO. 7511	REV. C
SCALE: 1:1	SolidWorks	SHEET: 1 OF 1