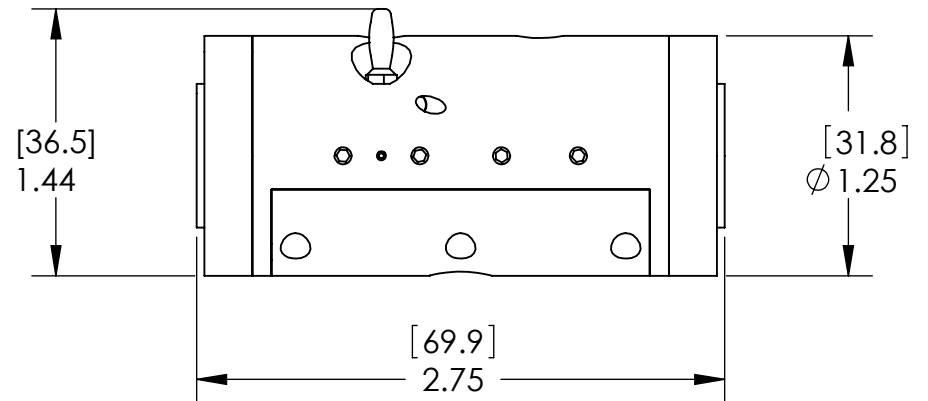
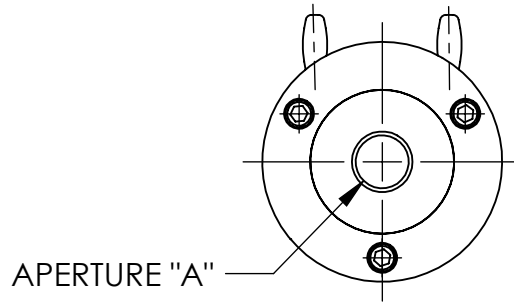
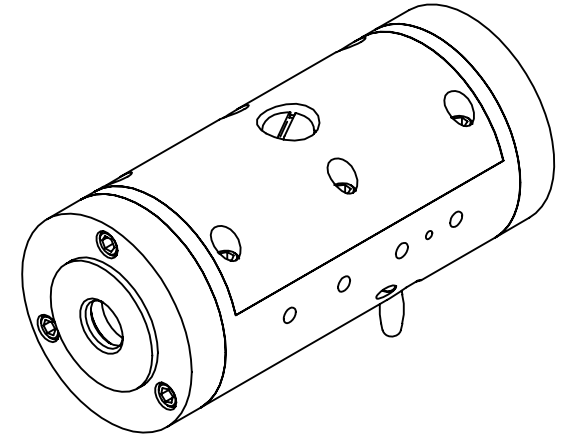
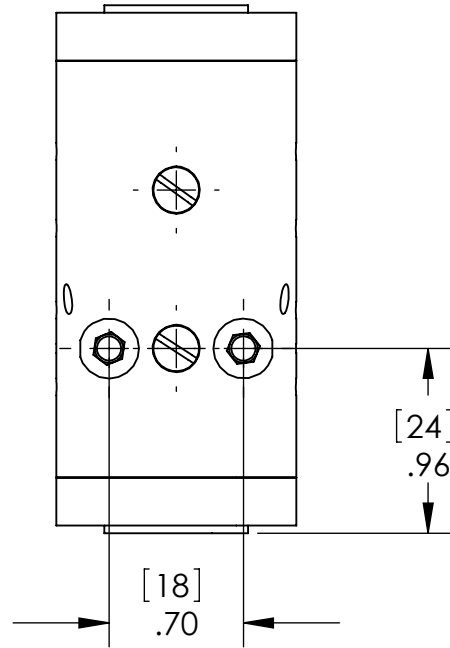


MODEL	"A"
PBC06-DC03	2.5 mm
PBC06-DC04	3.5 mm
PBC06-DC05	4.5 mm
PBC06-DC06	5.5 mm
PBC06-DC07	7 mm

REVISIONS			
REV	DESCRIPTION	DATE	APPROVED
A	Added PBC06-DC07	04/23/02	RB



THIRD ANGLE PROJECTION 	UNLESS OTHERWISE SPECIFIED DIMENSIONS ARE IN INCHES TOLERANCES : .X ± .015 .XX ± .010 0° 30' .XXX ± .005	USED ON P.L.	NORTHVALE, NEW JERSEY 07647		
		DRFT. R. Braescu 04/23/02 CHKR. F. Marsanu 04/23/02 ENG. R. Braescu 04/23/02	OUTLINE DRAWING PBC06 DUAL CRYSTAL, BBO Q-SWITCH		
NOTICE ALL PERSONS RECEIVING THIS DRAWING	BREAK ALL SHARP CORNERS UNLESS OTHERWISE NOTED.	REF.	SIZE A	DRAWING NO. 6561	REV. A
THIS PRINT, AND THE INFORMATION IT GIVES, ARE THE PROPERTY OF PPGI. THE PRINT IS NOT TRANSFERABLE, AND IT AND ANY COPIES ARE TO BE RETURNED UPON THE COMPLETION OF THE CORRESPONDENCE OR ORDER. THE INFORMATION IS GIVEN IN CONFIDENCE FOR A LIMITED PURPOSE, IS NOT TO BE DIVULGED AND IS NOT TO BE USED BEYOND THAT PURPOSE.	MATERIAL; FINISH;	SCALE 1:1	SolidWorks2001	SHEET 1 of 1	